

EX7400/O Mentor Orbital Zone 1 Explosion proof Intercom Station



Mentor Orbital 7400/O is a Zone 1 certified explosion proof intercom station. The unit operates on a decentralised principle, requires no exchange, special power supplies or external safety barriers.

Connection between stations is a simple 2 wire twisted pair, operational intercom system open architecture allowing a range of interconnection topologies to be configured (e.g. star, loop, radial, spur) 7400/O can be configured for emergency "Mustercom" service and in this mode critical paths are automatically surveyed. A battery charger is incorporated to float charge an external explosion proof battery where "no break" service is required.

A maximum of thirty two Mentor Orbitals can be assigned when in Mustercom mode and sixty four in operational (unsupervised) mode.

Mentor Orbital is also available with an additional discrete party communications channel facilitating full duplex two way telephone speech.

Key Features & Benefits

- ◆ Simplex Push To Talk release to listen or Hands Free VOX switched half duplex
- ◆ Self contained amplification / control logic (No central equipment required)
- ◆ Separate receive / transmit volume controls. Enabling efficient high definition speech in a range of acoustic conditions
- ◆ Hyper Cardioid microphone. Eliminates background noise pick up
- ◆ Extension re-entrant paging capability
- ◆ 2 Wire operation simple installation
- ◆ Fully integrated processing & amplification, no central equipment - Simple installation, very easy system expansion.
- ◆ Selectable hands free or simplex operation - Efficient operation, user friendly
- ◆ Control of external "call" beacon - Enables visual alert in very noisy locations
- ◆ Large "see in the dark" photo luminescent key pad - Operation by heavily gloved hand
- ◆ Strident paging / calling tone - Alerts site personnel to imminent paging announcement
- ◆ Powerful loudspeaker / amplifier with optional extension paging horn - Audible in very high noise areas
- ◆ 2 wire non polarity critical open field cable topology - Simple low cost installation & through life maintenance
- ◆ Integral Battery charger - Enables no break service in the event of primary mains failure
- ◆ Separate receive & transmit level controls - Efficient high definition speech
- ◆ Status display matrix window - Enables service without de-energising / opening the station.
- ◆ Fully Zone 1 certified - Requires no provision for safe area "purging"
- ◆ Optional full supervision - Reduces routine testing, ensures system always available.

See the following Data Sheets:

- PM0064** OPERATIONAL INTERCOM Application
- PM0023** EMERGENCY MUSTERCOM Application
- PML0008** MENTOR ORBITAL EX7400/O Technical Data
- PM0065** MENTOR ORBITAL with Master Push to Talk Control
- PM0067** MENTOR ORBITAL "Shout Back" Configuration
- PM0053** MENTOR ORBITAL Ex7405/O/05 "Page" Configuration

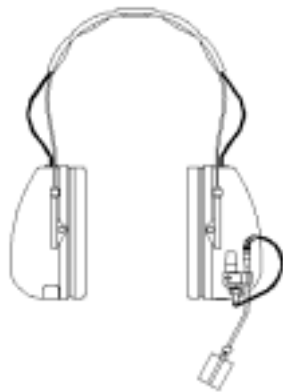
Mentor Orbital Model Identification

TYPE	LOCAL						REMOTE		OPTIONAL		
	I.S. KEYPAD	I.S. MICROPHONE FLUSH	EX LOUDSPEAKER	I.S. HANDSET CABLE ENTRY	I.S. HEADSET JACK	I.S. MICROPHONE GOOSENECK	I.S. KEYPAD	I.S. MICROPHONE	SIL MUSTERCOM01 M/S	CHIP04 (SHOUT BACK)	PAGE CONFIGURATION 05
EX7400/0*	✓	✓	✓	✗	✗	✗	✗	✗	✓	✗	✗
EX7401/0*	✓	✗	✓	✗	✗	✓	✗	✗	✓	✓	✗
EX7403/0/02	✓	✗	✗	✗	✓	✗	✗	✗	✗	✗	✗
EX7404/0*	✗	✗	✓	✗	✗	✗	✓	✓	✓	✓	✗
EX7405/0	✗	✗	✗	✗	✗	✗	✗	✓	✗	✗	✓
EX7402/0/02	✓	✗	✗	✓	✗	✗	✗	✗	✗	✗	✗
EX7406/0	✓	✗	✓	✗	✗	✗	✗	✓	✗	✓	✗
EX7407/0	✓	✓	✗	✗	✗	✗	✗	✗	✗	✗	✗

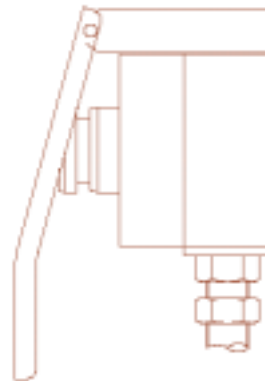
Mentor Orbital Accessories



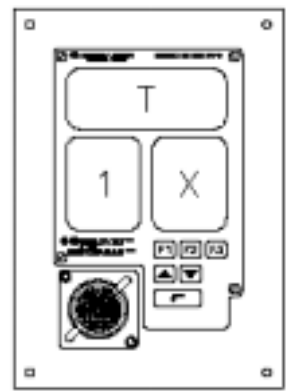
ISMIC 3 Intrinsic safe 300mm goose neck microphone for use with Mentor Orbital Ex7405/0 (ISMIC/600 600mm goose neck microphone to special order)



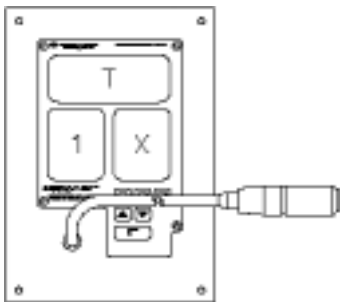
ISMIC 06/07 Intrinsic safe Ear Defender Headset & Boom Microphone for use with Mentor Orbital 7403/0/02



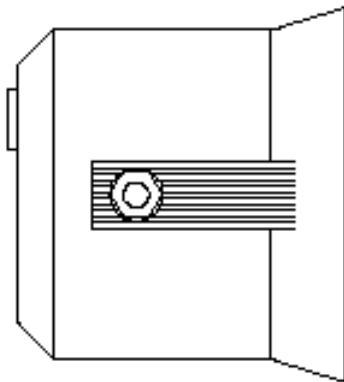
D10/1KS Explosion proof push to talk paddle switch for use with any Mentor Orbital 7400 series station



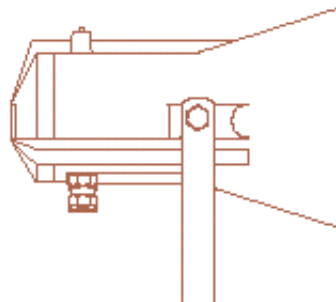
EX7450 Flush fit Intrinsic safe remote keypad / microphone panel. For use with EX7404/0/01



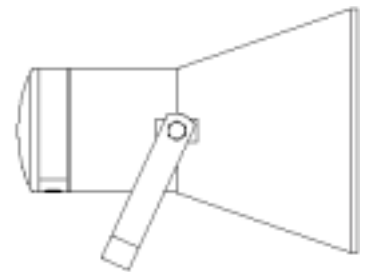
EX7451 Flush fit Intrinsic safe remote keypad / goose neck microphone panel. For use with EX7404/0/01



8 Watt Extension Loudspeaker



15 Watt Extension Loudspeaker



25 Watt Extension Loudspeaker