

Explosion-proof Ceiling Loudspeaker

The SLBA EExeNT is a flush fit ergonomic ceiling loudspeaker designed for use in potentially explosive atmospheres. The unit is specifically designed for office / living quarters location where continued operation of public address and alarm broadcast facilities, in event of pressurisation breach, is a safety critical requirement.



This ceiling loudspeaker has been specifically designed for use in internal Zone 1 hazardous areas. This provides a superior solution in terms of both performance and ergonomic design in the most demanding environments.

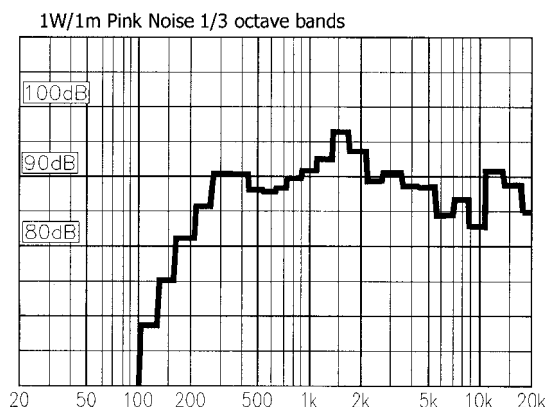
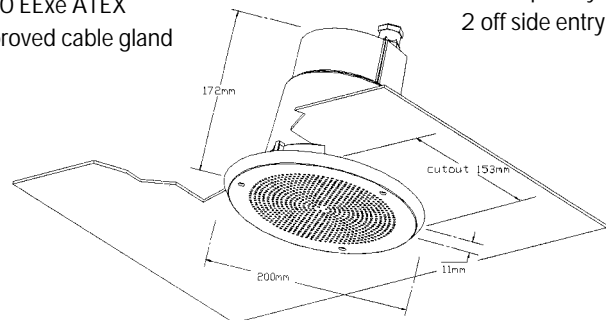
The SLBA EExeNT is Zone 1 certified for safe operation in a Group IIB + hydrogen atmosphere and is tested to the ATEX standard. The unit is equipped with integral line transformer allowing a wide range of sound pressure level outputs to be determined from either 70 or 100 volt line distribution (70V line to special order) The SLBA EExeNT is operable in conjunction with Spector addressable loudspeaker systems SALS for which EExm LTU is readily available (see Data sheet PM0015).

Specification

Material / Colour	Aluminium / RAL 9010
Mounting	3 Screws
Termination exe	e-chamber, screw terminals
Weight	4.0 Kg
IP-rating	N/A
Max / min ambient temperature	40 °C / -20 °C
Standard version	100 V transformer
Rated / max power @ 1m	6 W
SPL 1W / 1m	90 dB
SPL rated power (6 watts @1m)	97 dB
Effective frequency range	170 – 20000 Hz
Dispersion (-6dB) 1kHz / 4kHz	120° / 55°
Certified by / Certification code	NEMKO 01ATEX 122
.....	EEx de IIB+H2 T6

M20 EExe ATEX
approved cable gland

Gland entries
2 off top entry
2 off side entry



Transformer: 100 Volt line

Primary nominal tapings:

1 : 2	6.0 W
2 : 3	3.0 W
3 : 4	1.5 W
1 : 3	1.0 W
2 : 4	0.5 W
1 : 4	0.4 W

1 = Red, 2 = Yellow

3 = Green, 4 = Blue

Morley Avenue
Mapperley
Nottingham
NG3 5FW
England

Tel: +44 (0) 115 955 11 99
Fax: +44 (0) 115 955 19 19
E-mail: spectorlumenex.uk@tycoint.com
http: www.spector-lumenex.co.uk



tyco

Engineering
Services

Spector
Lumenex

