

Loudspeaker 65010109-20S/T LTU

The 65010109-20S/T LTU is a rugged industrial weatherproof re-entrant horn loudspeaker designed to operate in a Zone 2 group IIC hazardous atmosphere.



The unit incorporates a SALS (Spector addressable loudspeaker system (see data sheet PM/0018 for further details on SALS)) LTU (Loudspeaker termination unit) which enables address of loudspeaker units connected to a ACE 100 public address broadcast network for the purpose of individual device monitoring and remote sound pressure level power 'tap' assignment.

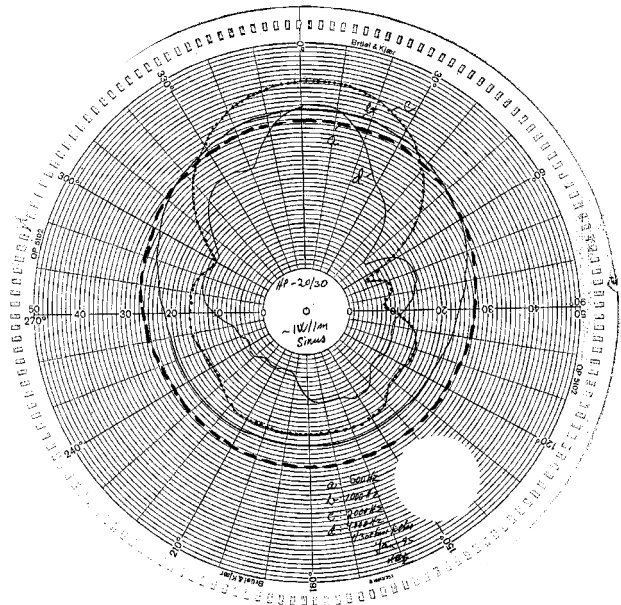
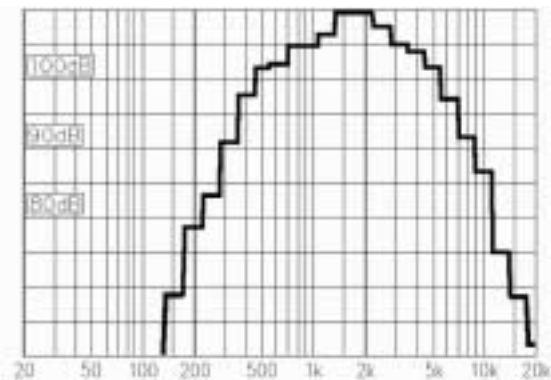
Transformer: 100/50 volt
Secondary nominal tapings:

1 : 4	20.0 W
1 : 3	10.0 W
2 : 4	6.0 W
1 : 2	5.0 W
3 : 4	2.0 W
2 : 3	1.5 W

Specification

Material / Colour / Finish Polyamide / RAL7035
Mounting Bracket
Terminal Inside screw connections
Weight without / with transformer 1.8 / 2.3 Kg
Related power / max power 20/25 Watts
IP-norm 67
Max / min ambient temperature 150 °C / -50 °C
Impedance on request
Standard model Transformer 100/50V
Effective frequency range 310 – 8000 Hz
SPL 1W / 1m 110 dBA
Dispersion (-6dB) 1kHz / 4kHz 115 ° / 30 °
Certified by / certification code NEMKO Ex nC IIC T6

1W/1m 1/3 octave pink noise



Morley Avenue
Mapperley
Nottingham
NG3 5FW
England

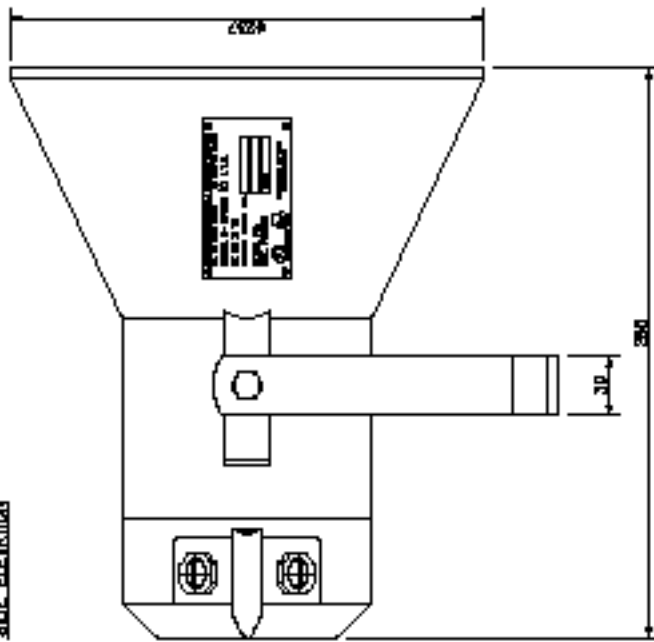
Tel: +44 (0) 115 955 11 99
Fax: +44 (0) 115 955 19 19
E-mail: spectorlumenex.uk@tycoint.com
http: www.spector-lumenex.co.uk



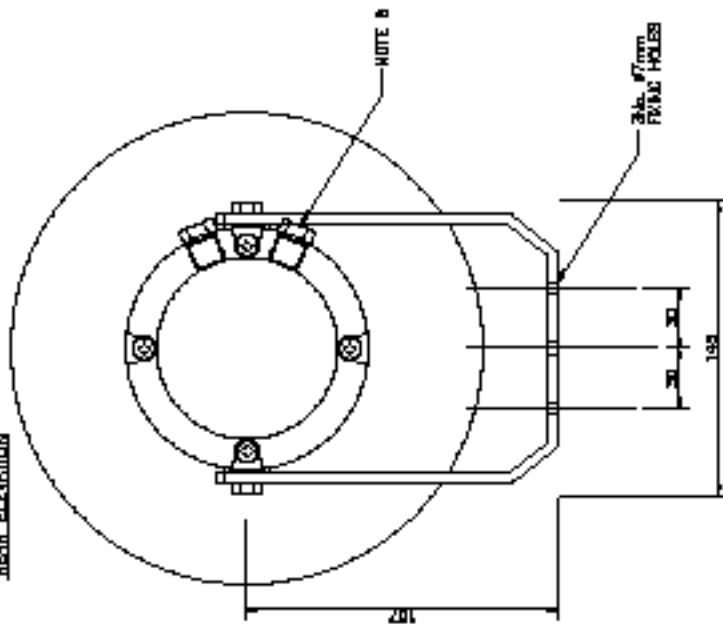
tyco
Engineering
Services

Spector
Lumenex

SIDE ELEVATION



REAR ELEVATION



NOTES

- 1) LIDSPEAKER TYPE :- HP205 (T) L.T.U.
 - 2) MATERIAL :- POLYCARBONATE NYLON
 - 3) COLOUR/FINISH :- GREY (RAL 7035)
 - 4) MOUNTING :- BRACKET VIA 3MM SCREWS
 - 5) L.T.U. :- LOCATED INSIDE CHAMBER
 - 6) GLAND ENTRY :- LPTD 2MM W2D CABLE GLAND ENTRIES. BLANKING PLUGGED WHEN NOT USED.
 - 7) WEIGHT :- 2.3Kg
 - 8) RATED POWER :- 20 WATTS
 - 9) MAXIMUM POWER R.M.S. :- 20 WATTS
 - 10) DISPERSION :- 115 @ 1000HZ, 30 @ 4000HZ
 - 11) L.P. RATING :- 67
 - 12) AMBIENT TEMPERATURE :- +100°C/-50°C
 - 13) IMPEDANCE :- 20 OHMS
 - 14) EFFECTIVE FREQUENCY RANGE :- 310HZ/8KHZ
 - 15) SPL 1M/1m :- 110dB
 - 16) SPL AT RATED POWER 122dB
 - 17) TRANSFORMER TAPPIER
- | | |
|-----|------|
| 1-3 | 30W |
| 2-3 | 10W |
| 1-3 | 4W |
| 2-4 | 2W |
| 1-4 | 1.6W |

