

Loudspeaker 65010095-20T LTU

The 65010095-20T LTU is a rugged industrial weatherproof re entrant horn loudspeaker.



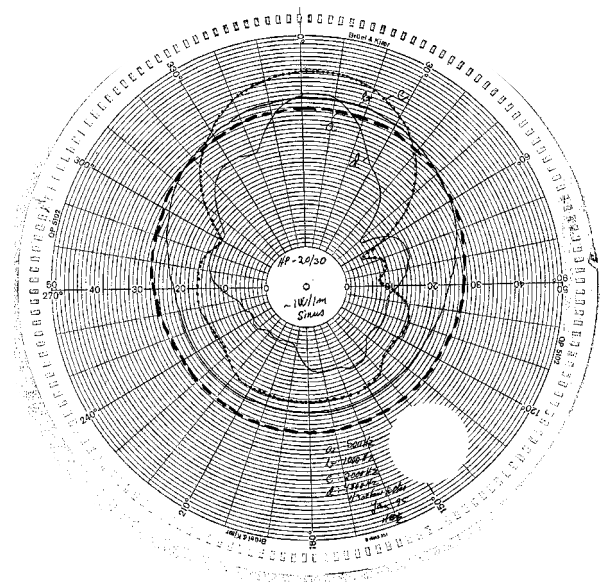
The unit incorporates a SALS (Spector addressable loudspeaker system (see data sheet PM/0018 for further details on SALS)) LTU (Loudspeaker termination unit) which enables address of loudspeaker units connected to a ACE 100 public address broadcast network for the purpose of individual device monitoring and remote sound pressure level power 'tap' assignment.

Transformer: 100/50 volt
Secondary nominal tapings:

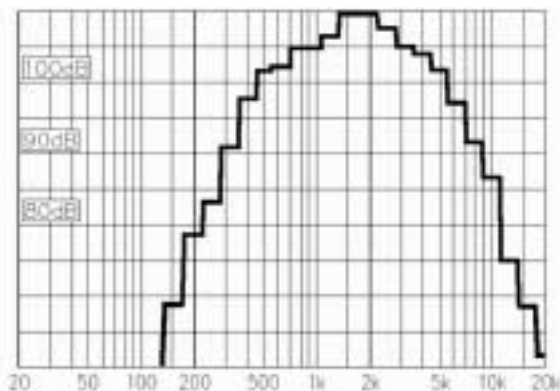
1 : 4	20.0 W
1 : 3	10.0 W
2 : 4	6.0 W
1 : 2	5.0 W
3 : 4	2.0 W
2 : 3	1.5 W

Specification

Material / Colour / FinishPolyamide / RAL7035
MountingBracket
TerminalInside screw terminals
Weight without / with transformer1.8 / 2.3 Kg
Related power / max power20/25 Watts
IP-norm67
Max / min ambient temperature150 °C / -50 °C
Impedanceon request
Standard modelTransformer 100/50V
Effective frequency range310 – 8000 Hz
SPL 1W / 1m110 dBA
Dispersion (-6dB) 1kHz / 4kHz115 ° / 30 °



1W/1m 1/3 octave pink noise



Morley Avenue
Mapperley
Nottingham
NG3 5FW
England

Tel: +44 (0) 115 955 11 99
Fax: +44 (0) 115 955 19 19
E-mail: spectorlumenex.uk@tycoint.com
http: www.spector-lumenex.co.uk



tyco

Engineering
Services

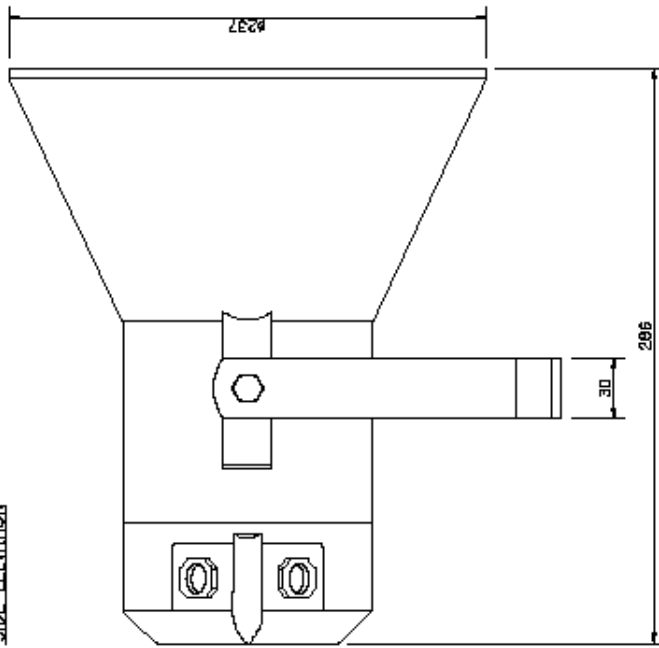
Spector
Lumenex

NOTES

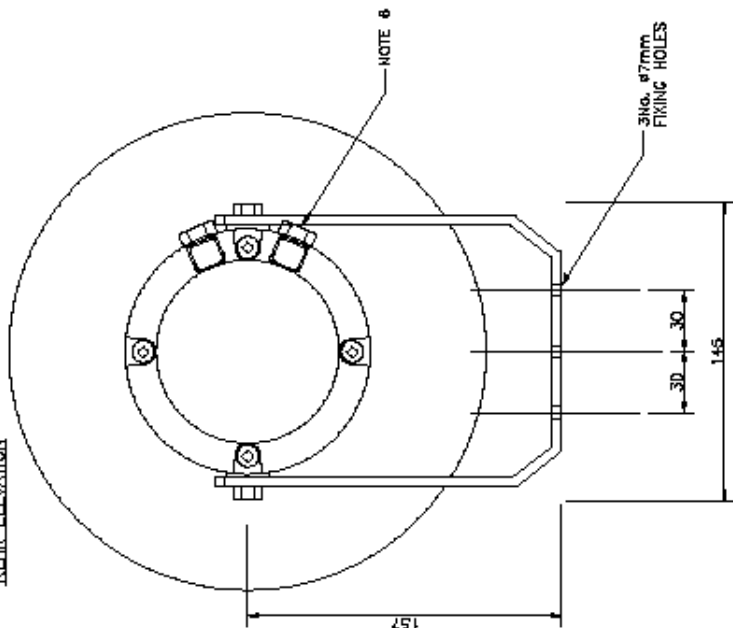
- 1) LOIDSPEAKER TYPE :- HP2D (T) L.T.U.
- 2) MATERIAL :- POLYCARBONATE, NYLON.
- 3) COLOUR/FINISH :- GREY (RAL 7035).
- 4) MOUNTING :- BRACKET VIA 3No. SCREWS.
- 5) L.T.U. :- LOCATED INSIDE CHAMBER.
- 6) GLAND ENTRY :- UPTD 2No. M20 CABLE GLAND ENTRIES.
- 7) WEIGHT :- 2.3Kg.
- 8) RATED POWER :- 20 WATTS.
- 9) MAXIMUM POWER R.M.S. :- 20 WATTS.
- 10) DISPERSION :- 115° @ 1000Hz, 30° @ 4000Hz.
- 11) I.P. RATING :- 67.
- 12) AMBIENT TEMPERATURE :- +60°C/-50°C.
- 13) IMPEDANCE :- 20 OHMS.
- 14) EFFECTIVE FREQUENCY RANGE :- 310Hz/8KHz.
- 15) SPL 1W/1M :- 110dB.
- 16) SPL AT RATED POWER 122dB.
- 17) TRANSFORMER TAPPINGS:

1:2	2DW
2:3	1DW
1:3	4W
2:4	2W
1:4	1.5W

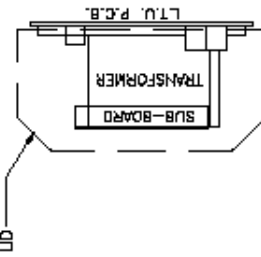
SIDE ELEVATION



REAR ELEVATION



INTERNAL SIDE ELEVATION



INTERNAL REAR ELEVATION

